

# mini pal

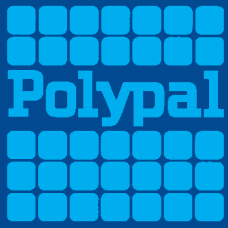
ISO 9001

Long span shelving for the storage of medium and light duty loads



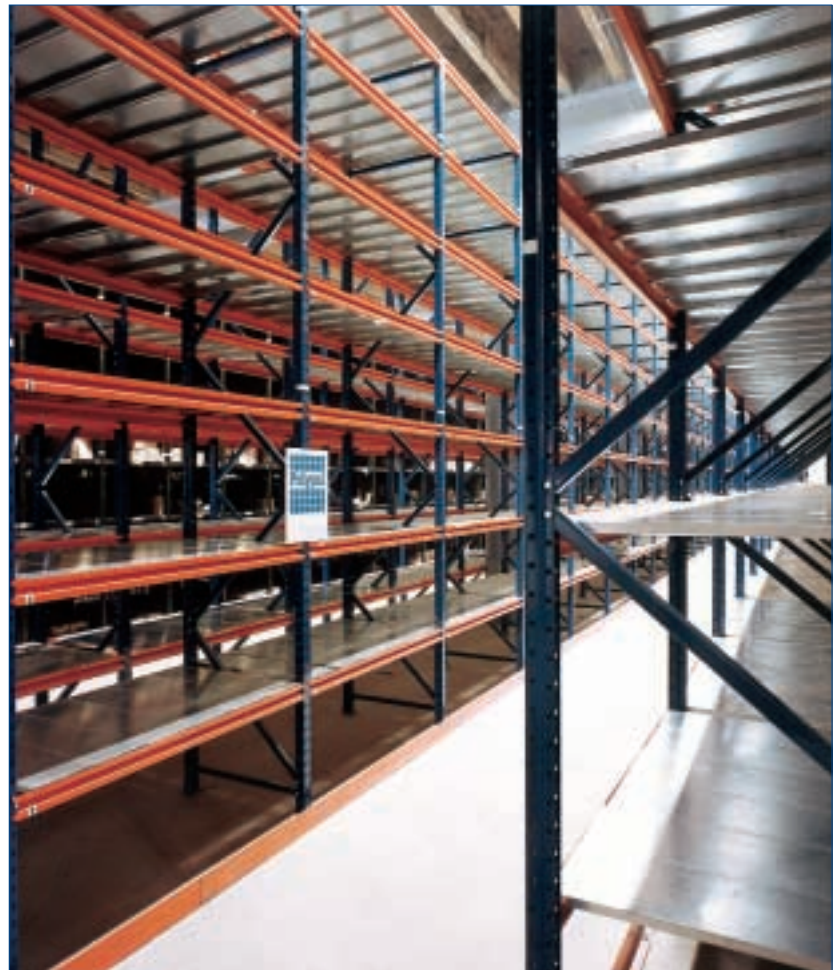
**Racking all over the world**

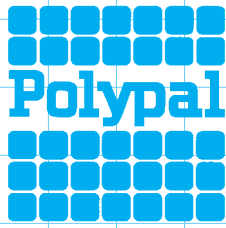
POLYPAL  
Polypal House  
Monckton Road Industrial Estate  
Wakefield, West Yorkshire, WF2 7AL  
Tel: 01924 200015  
Fax: 01924 201160



## MINIPAL: A Multi-Application Product

- Single tier using beams or shelves.
- Multi-tier systems.
- High rise solutions with manual or automatic retrieval equipment.
- Dynamic systems.
- Mobile systems.





## General Design

Cold rolled developed upright for improved tensile strength.

Single piece upright up to 9-metres.

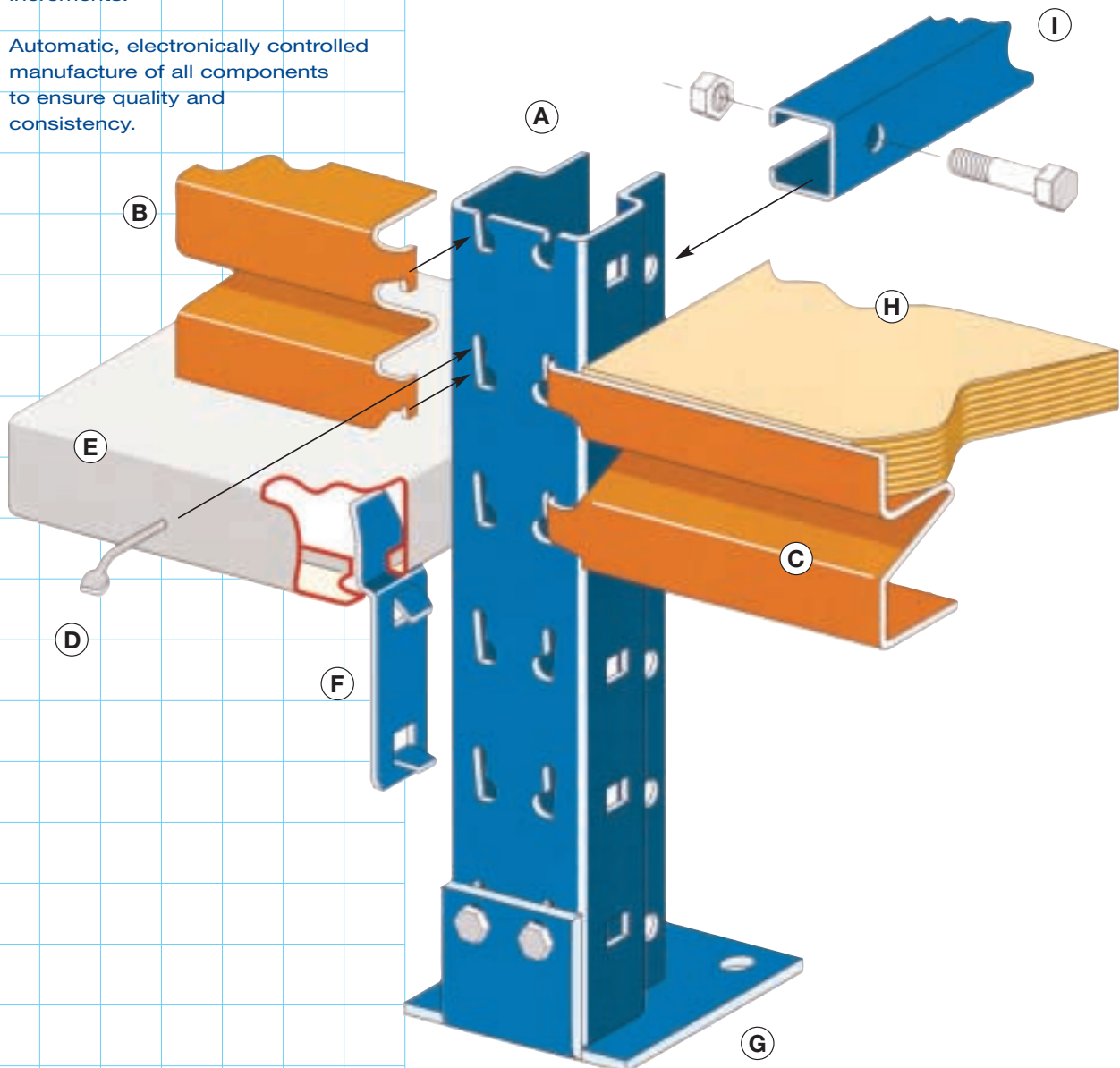
Single piece cold rolled beam with integral end connectors.

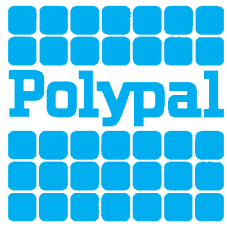
Security pin to prevent accidental uplift of beams.

Height adjustable in 50mm increments.

Automatic, electronically controlled manufacture of all components to ensure quality and consistency.

- A. Cold rolled developed upright.
- B. Plain beam for pallet applications.
- C. Stepped beam to accommodate all types of decking materials.
- D. Security pin.
- E. Steel shelf.
- F. Steel shelf support.
- G. Standard baseplate.
- H. Timber or steel shelving.
- I. Diagonals.



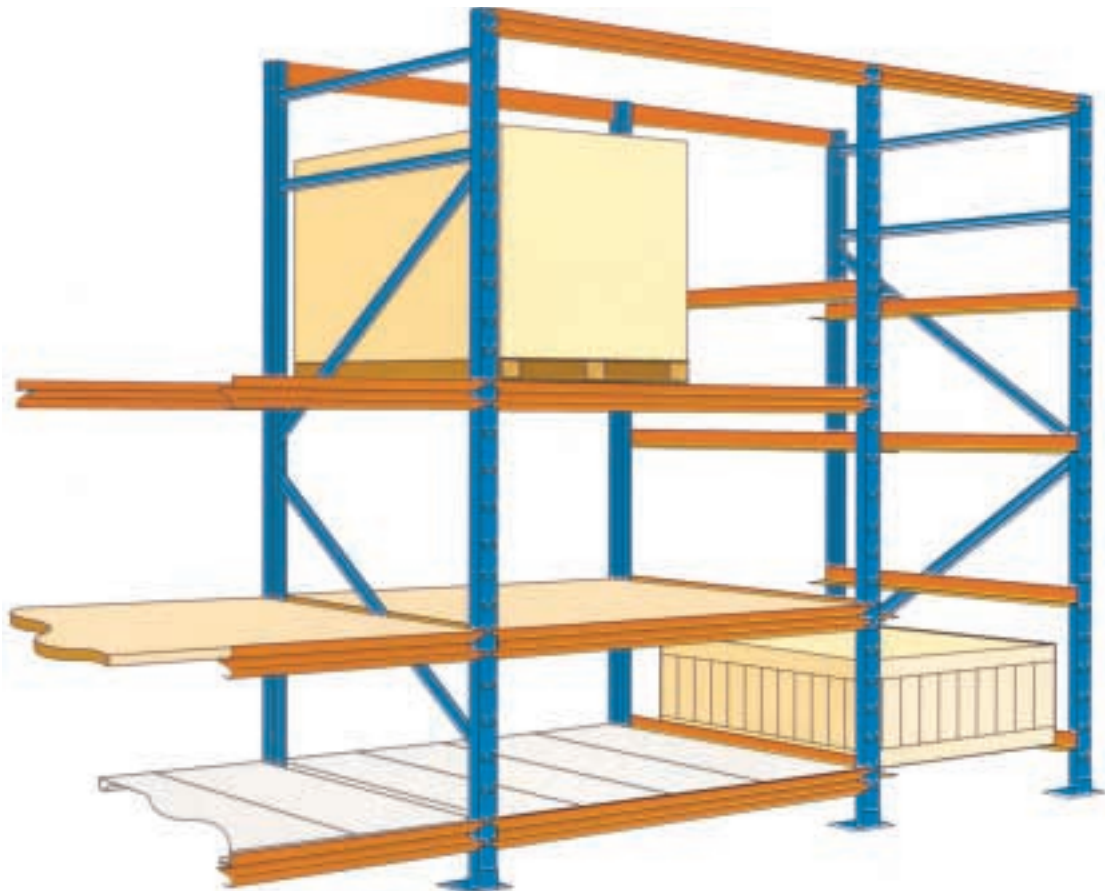


**MINIPAL:  
The Intermediate  
Solution between  
Stockpal and Panopal**

**FAST,  
EASY  
ASSEMBLY**

- Two basic components: frames and beams or shelves.
- Rigid and stable structure.
- Numerous applications and compatibility with other products in the Polypal range.

**Cost effectiveness  
is assured.**





# mini pal

ISO 9001

Long span shelving for the storage of medium and light duty loads

Frame capacity	Standard depths (mm)	Standard heights (mm)
Up to 6 tons	600 800 1000 Other depths possible on request.	2000 3000 2500 4500 Other heights in 250mm increments possible on request

## LOAD TABLE FOR STANDARD BEAMS

Lengths (mm)	kg per pair of beams
1000	850
1200	740
1500	630
1800	560
2000	520

## FINISH

All Minipal components have a first class finish of electrostatically applied epoxy powder coating baked on at 200°C to a thickness of 40 microns.

FOR THE FRAMES



BLUE RAL 5001

FOR THE BEAMS



ORANGE RAL 2004

FOR THE STEEL SHELVES



GREY RAL 7035

Distributed by

